



# SWADLING

## BRASSWARE

### Illustrious Wall mounted Non-thermostatic bath/shower mixer Installation Instructions



Bath only  
Bath & Shower

9853  
9823

9850  
9820

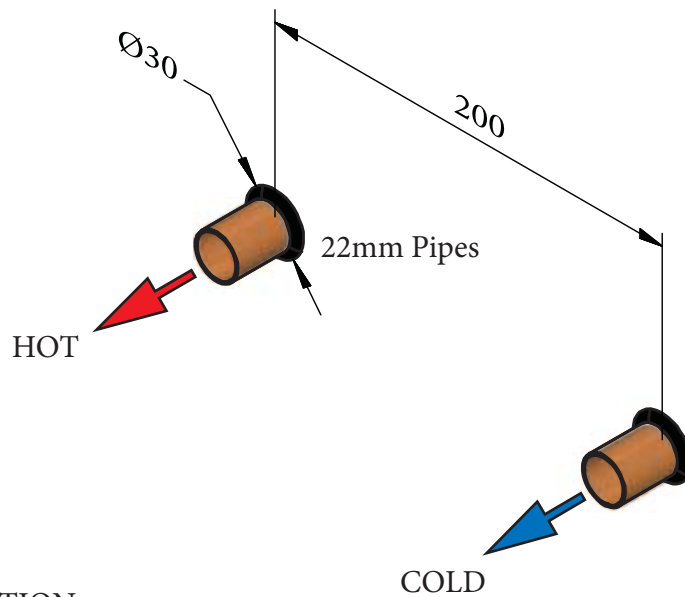
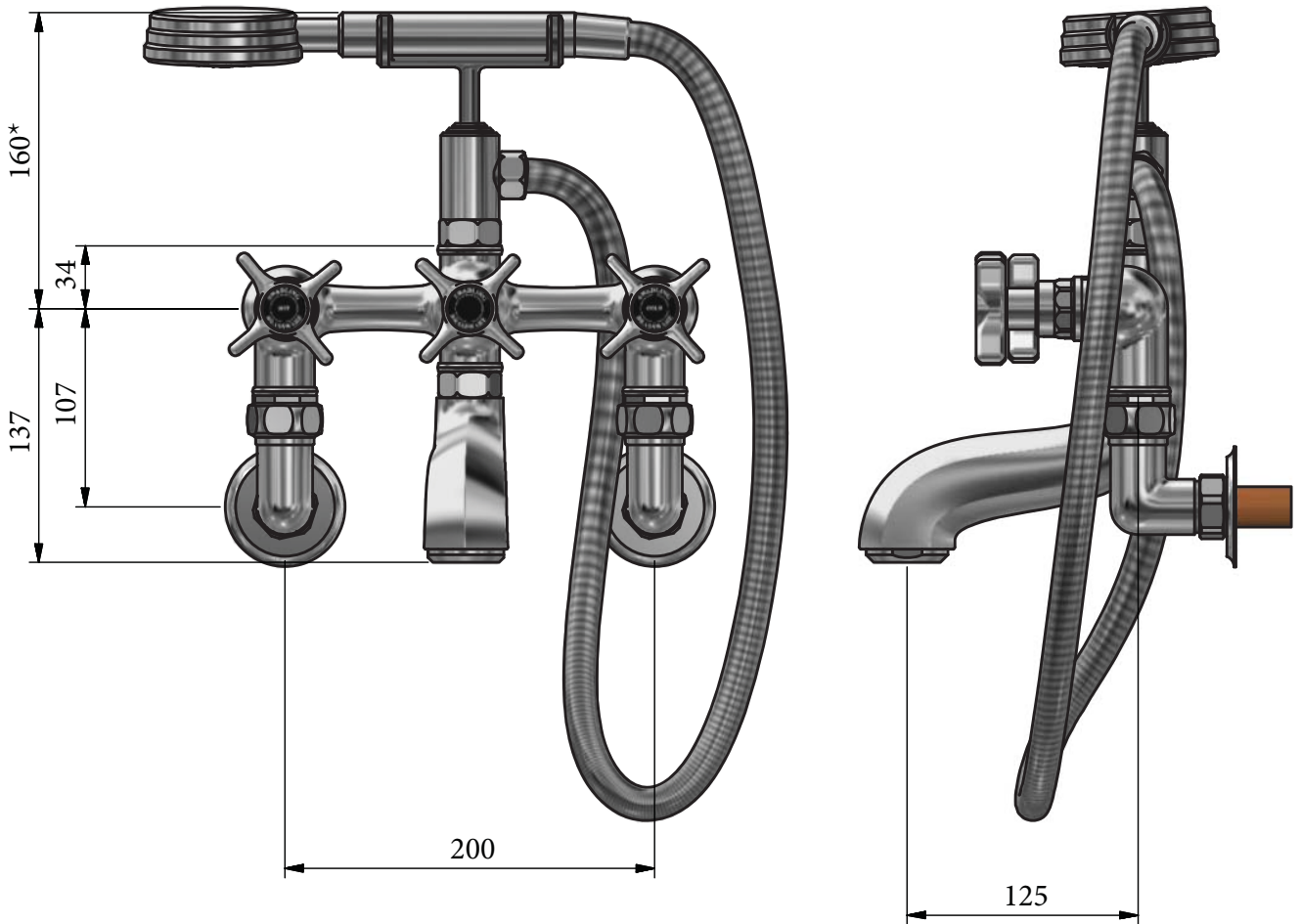
9856  
9826

9859  
9829

Before disposing of the carton and commencing installation, please check all parts against the parts list on back page. Please contact us immediately if any parts are missing or damaged.

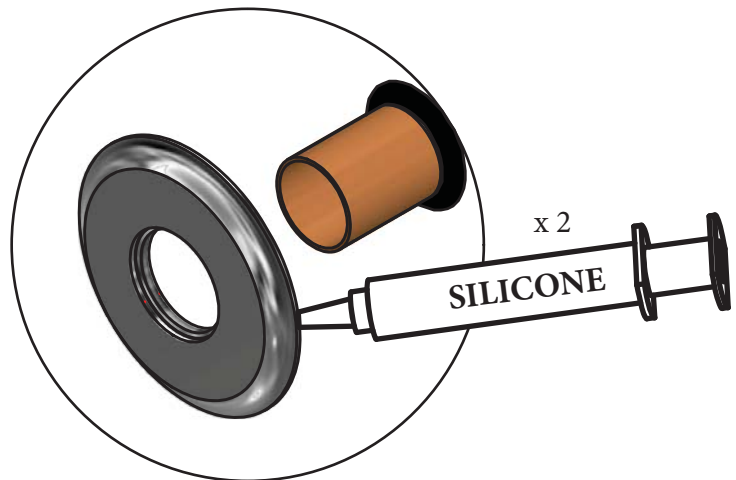
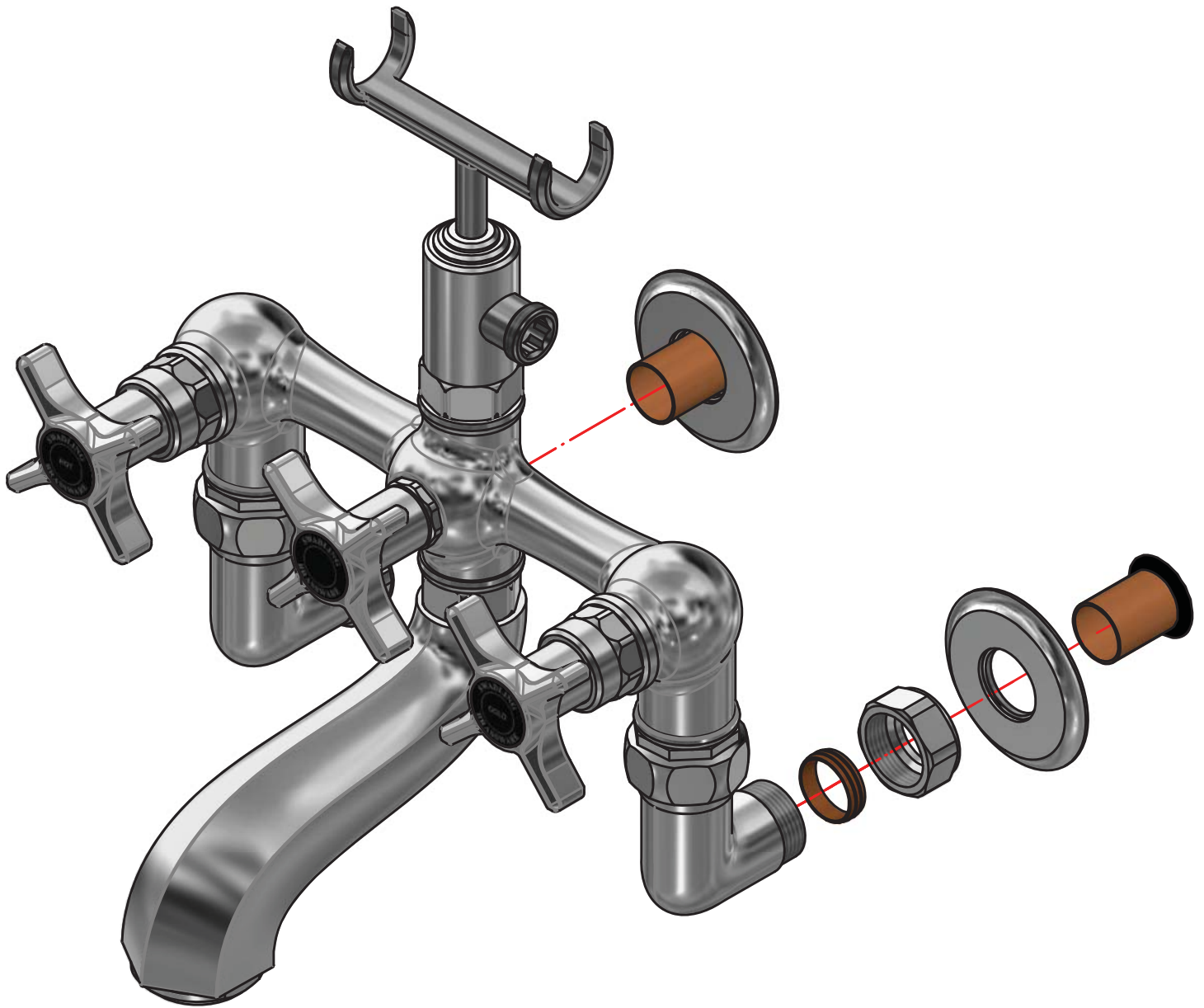
Swadling Brassware, Churchward Road, Yate, Bristol, BS37 5PL  
Telephone: 02392 255536 Email: [tech@swadlingbrassware.co.uk](mailto:tech@swadlingbrassware.co.uk)

# DIMENSIONS



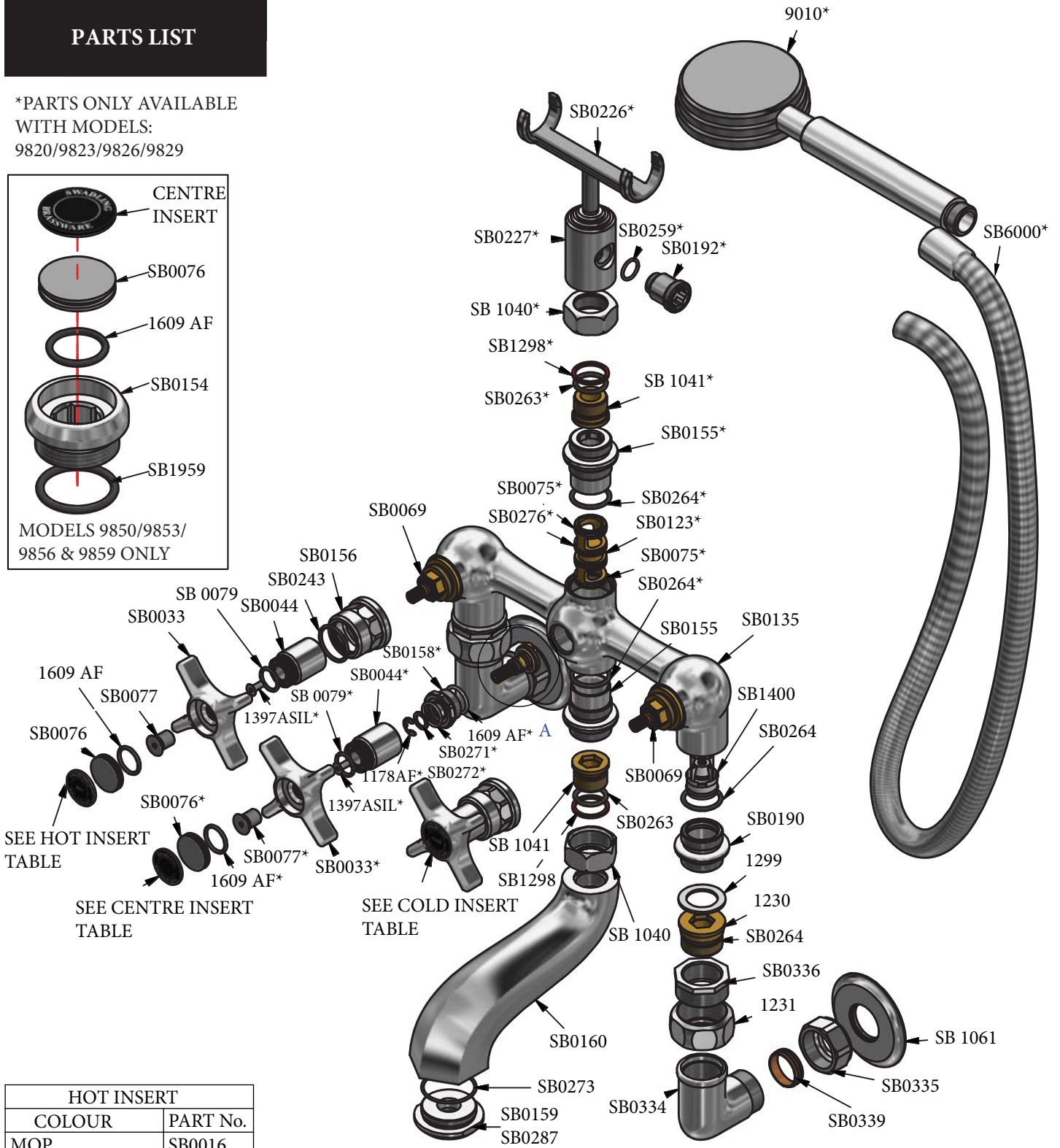
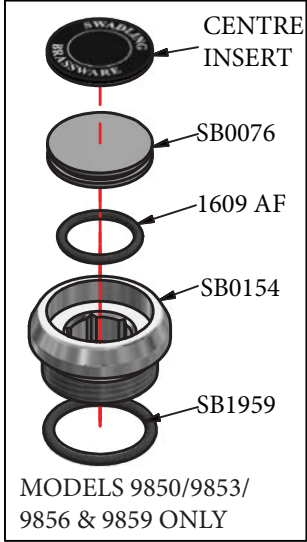
\*HAND SHOWER OPTION  
ONLY AVAILABLE WITH  
MODELS:  
9823/9820/9826/9829

# INSTALLATION



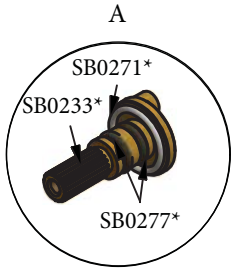
# PARTS LIST

\*PARTS ONLY AVAILABLE WITH MODELS:  
9820/9823/9826/9829



HOT INSERT	
COLOUR	PART No.
MOP	SB0016
BLACK LIP MOP	SB0019
WHITE DISC	SB0009
BLACK DISC	SB0011

CENTRE INSERT	
COLOUR	PART NUMBER
MOP	SB0015
BLACK MOP	SB0018
WHITE DISC	SB0013
BLACK DISC	SB0014



COLD INSERT	
COLOUR	PART No.
MOP	SB0017
BLACK LIP MOP	SB0020
WHITE DISC	SB0010
BLACK DISC	SB0012