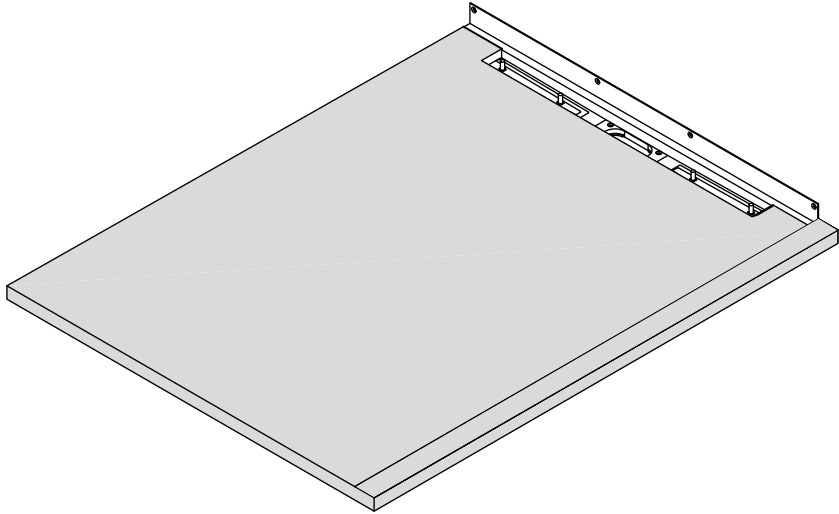


# INSTALLATION GUIDE



## INFINITY SINGLE FALL

Wetroom Shower Tray Corner Installation

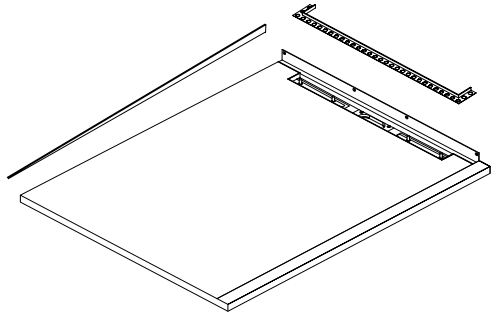
YouTube

SCAN TO WATCH



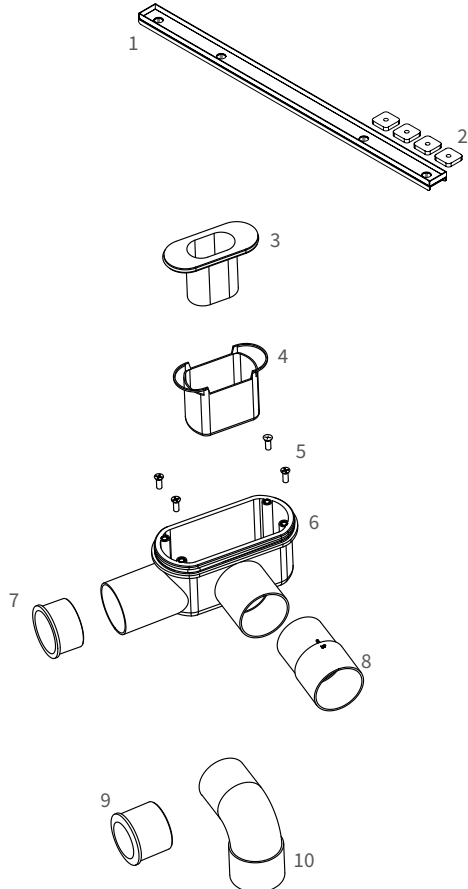
## TYPICAL PARTS REQUIRED

- Shower Tray (supplied)
- Side Edge Trim (supplied)
- Waste Finishing Trim

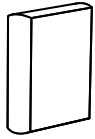


## WASTE KIT (TYPICAL PARTS)

1. Finishing Grate
2. Height Adjustment Nuts
3. Drain Top
4. Internal Bowl
5. M6 Hex Screws
6. Shower Trap
7. Stop Cap
8. Fall Adaptor
9. Drain Reducer
10. 90° Adaptor



## FITTING KIT (TYPICAL PARTS)



Fix-KST  
Adhesive Bag



Self-Adhesive  
Waterproofing  
Tape



Wood Floor  
Primer



Fix-MD  
Sealant /  
Adhesive



Seam Roller



Preformed  
Internal Corner

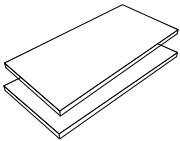


Protective  
Gloves



Paintbrush

## PARTS YOU MAY ALSO REQUIRE BEFORE STARTING



10mm Waterproof  
Boards



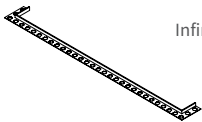
Washers  
& Screws



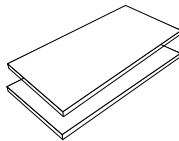
Waterproofing  
Tape



Pro-SEAL  
Pre-MIX



Infinity Finishing  
Trim



18mm Ply

## TOOLS REQUIRED (NOT SUPPLIED)

- Paint Brush (wood floors only)
- Tape Measure
- Pencil
- Straight Edge
- Hard Point Saw
- Circular Saw
- Electric Drill
- Breathing Protection
- Bucket
- Wood Bit
- Solvent Weld Waste Adhesive
- Sealant Gun
- Timber Batten (approx. 20mm x 50mm)
- Screwdriver PZ2
- Plywood 18mm (size depends on room)
- Jigsaw
- Measuring Jug
- Eye Protection



## **BEFORE YOU START**

### **IMPORTANT INFORMATION**

#### **PLEASE READ THESE INSTRUCTIONS THOROUGHLY BEFORE STARTING INSTALL.**

- IT IS CRITICAL TO THE CORRECT FUNCTIONING OF THE WASTE THAT ALL CUTS IN FLOORBOARDS TO ACCOMODATE THE WASTE AND TRAP ARE MADE TO THE DIMENSIONS SPECIFIED IN THE FOLLOWING INSTRUCTIONS
- ALWAYS ENSURE THERE IS NO MOVEMENT ANYWHERE IN THE 18MM PLY, ESPECIALLY AROUND THE HOLE CUT THROUGH THE 18MM PLY FOR THE WASTE
- DO NOT PLACE STEP LADDERS OR HEAVY ITEMS ONTO THE SHOWER TRAY OR TRAY EXTENSION PRIOR TO TILING AS THIS CAN PUNCH A HOLE THROUGH THE SURFACE
- If your product has slightly damaged edges there is no need to return it. These are easily repaired and most minor damage will naturally be covered during installation. If a repair needs patching that won't be naturally covered you should do so in the same way as sealing a joint, with the provided Self Adhesive Tape, or using Waterproof tape with Pro-Seal Tape Sealer (not included in this kit).
- Always take professional advice when making any structural alterations to your building.
- When drilling or fixing into walls or floors it is essential to check for pipes and wires before commencing.
- Ensure the two supplied O-Rings are correctly fitted to the shower drain:
  - The thick O-Ring in the recess around the top of the Shower Drain Base.
  - The thin O-Ring in the recess around the top of the Shower Drain Top.

---

### **IMPORTANT TILING ADVICE**

- DO NOT USE ready mixed tile adhesives. S1 flexible cement based powdered adhesive must be used with tileable shower trays.
- It is essential to create a full bed of adhesive when laying the tiles by following the British Standards' notched trowel and buttering method.

---

### **ELECTRICAL UNDER TILE HEATING**

Tileable shower trays are ideal for use with electrical under tile heating due to their excellent thermal properties. It is however essential to check with the manufacturer that their product is suitable for the intended installation. When installing under tile heating it is essential to consider all areas that will need products fixed to the floor, such as shower screens. Do not install electric under tile heating directly below any fixing point to avoid risk of damage to the heating mat.

## SITE PREPARATION

- All floor types must be clean, dry and dust free.
- All floor types need to be as flat and level as possible.
- Prior to installation you will need to have access to a waste pipe in the correct position. Please ensure the waste pipe is accessible and any alterations to the floor / joists are completed prior to installation.
- If you are running your pipe work below the floor, the waste pipe must run in the same direction as your floor joists so please check your joists before starting installation.
- When you are ready to start, make sure that you have all required tools to hand and that the installation area is clean and dry.

## SAFETY SYMBOLS

Throughout the installation guide you'll notice the symbols below. It is essential that you always use personal protection equipment where required. Think of the safety of yourself and others at all times.



Wear Protective Gloves



Use RCD Protected Socket

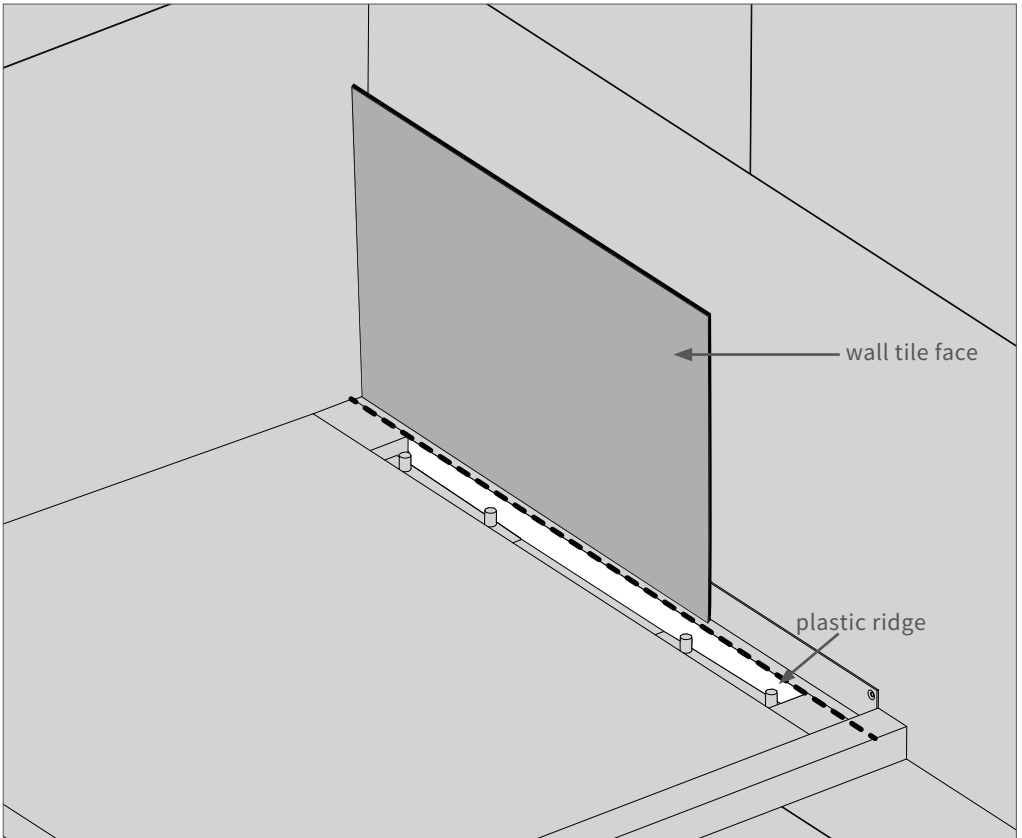


Wear Eye Protection



Wear Dust Mask

Prior to commencing work we recommend that the walls are waterproofed using Waterproof 10mm Boards. The Infinity Tray is best suited for large format tiles of 12-16mm total thickness including adhesive.



NEVER LAY THE TRAY DOWN ON ITS WASTE WHILE AWAITING ITS INSTALLATION. THIS COULD DAMAGE THE BONDING BETWEEN THE WASTE AND TRAY IF OTHER ITEMS ARE INADVERTENTLY PLACED ON IT.

DO NOT WALK ON OR STAND ANYTHING ON THE SHOWER TRAY OR WATERPROOF BOARDS AS THEY CAN EASILY BE DAMAGED AT THIS STAGE.

Place the tray in position to check fit. The plastic ridge should be in line with the planned finished wall tile face.

Measure the entire floor area and plan the layout on a sheet of paper. Decide if any of the waterproof boards need to be cut and if they do, cut them now using a hard point saw. Lay the entire pack out across the floor area to check fit.

Carefully remove the waterproof boards and tray and store somewhere safe.

A high slip resistant tile is advised for the tray itself.

Prior to commencing it is advisable to plan tile layout to ensure symmetry with any cut tiles.

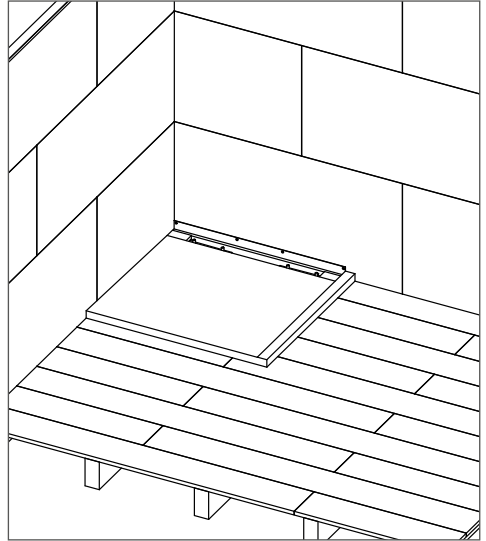
# INSTALLATION STEPS

# 1

Gently place the shower tray in position and mark the shower tray position onto the floor.

Measure the position of the waste hole in the shower tray.

Carefully remove the shower tray and store somewhere safe.

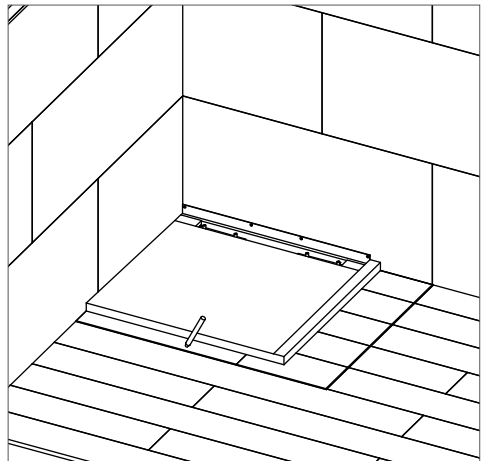


# 2

Establish the joist positions from the nails or screws holding the existing flooring down.

Where the tray runs across the joists, remove up to the next floor joist.

Where the edge of the shower tray runs in the same direction as the joists, mark the centre line of the first joist outside the shower area as you will need to remove the floor up to this line.



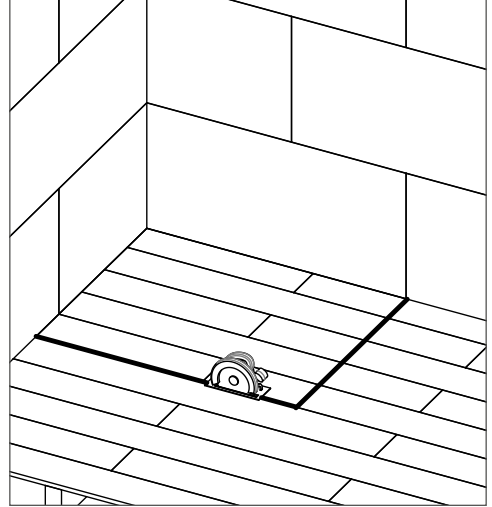
# 3

Before proceeding, check thoroughly for pipes and wires under the floor.

Set the circular saw blade to the depth of the floor boards - it may be necessary to increase the depth slightly if it does not go right through the floor boards.

As a safety precaution we recommend that the circular saw is plugged into an RCD protected socket.

Using the circular saw cut along the lines that you have marked and remove the flooring and all nails or screws carefully.



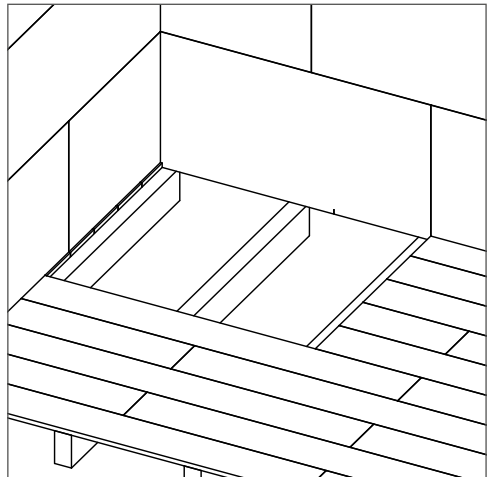
## THINK SAFETY



---

# 4

Make sure the remaining floor boards or sheets in the rest of the room are fully secured down and as level and flat as possible.



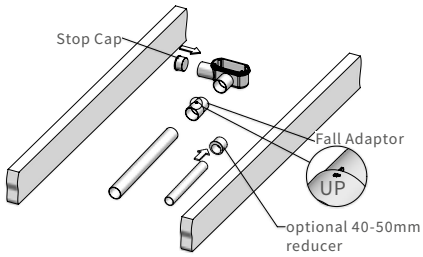


# 5

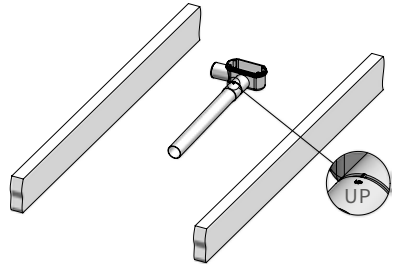
Assemble the drain.

The drain assembly offers several options - typical configurations are shown below.

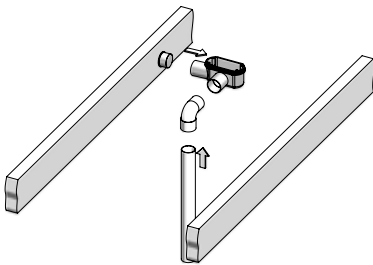
**Note:** All solvent joints should be cleaned with an appropriate solvent weld cleaner prior to using solvent adhesive.



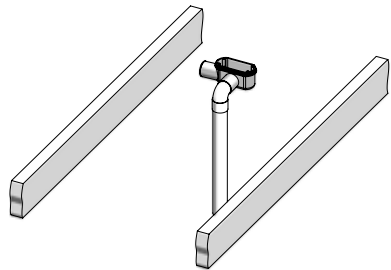
Horizontal exploded - configuration 1



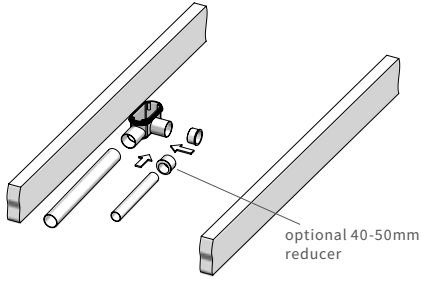
Horizontal assembled - configuration 1



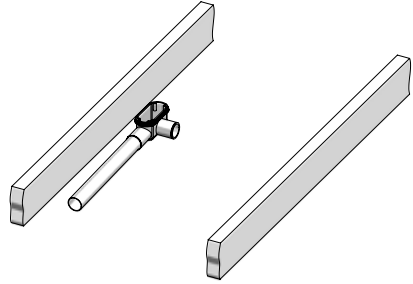
Vertical exploded - configuration 1



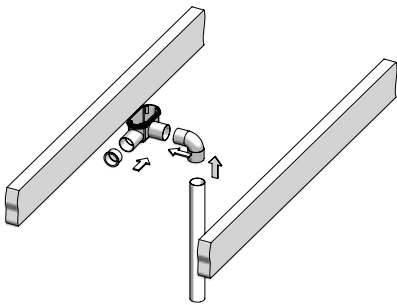
Vertical assembled - configuration 1



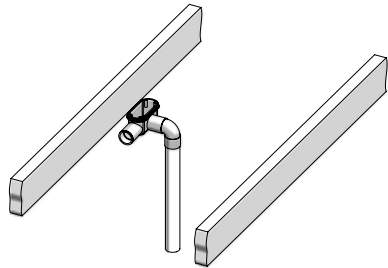
Horizontal exploded - configuration 2



Horizontal assembled - configuration 2



Vertical exploded - configuration 2



Vertical assembled - configuration 2

6

All exposed joists will now need a batten running along the inside of each joist to accommodate the new plywood low level floor.



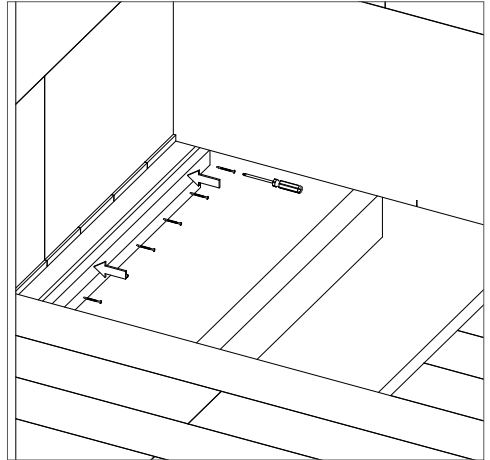
Measure the length of the exposed joist taking into account any obstructions.

Battens must fully support the sunken plywood deck when it is laid.

Cut timber battens (approx 20mm x 50mm) to length.

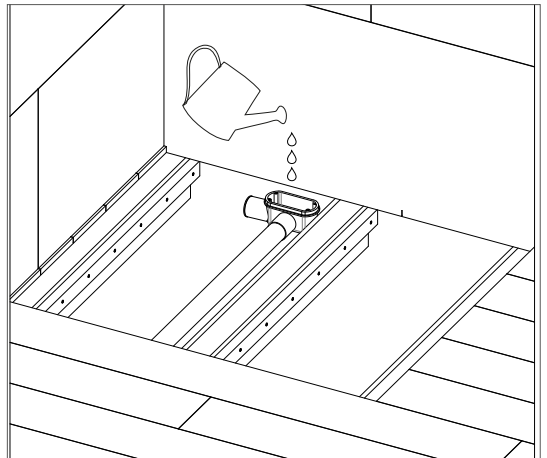
Battens must be fixed 18mm below the joist level to accommodate the new floor deck.

Screw the battens at approximately 150mm intervals to the inside of all joists using appropriate fittings.



7

Test the waste by pouring water into it, prior to fitting the deck.



# 8

Cut 18mm plywood to fill in the area between the joists, ensuring an accurate cut out is left for the waste and trap.

The required cut out measurements are indicated in the diagram to the right. Measurements are taken from the wall side of the tray's upstand.



**-These MUST NOT be exceeded-**

Note:

750mm is for 700mm Infinity drains  
1050mm is for 1000mm Infinity drains

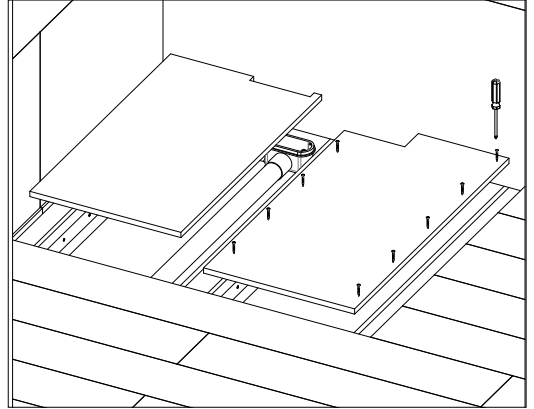
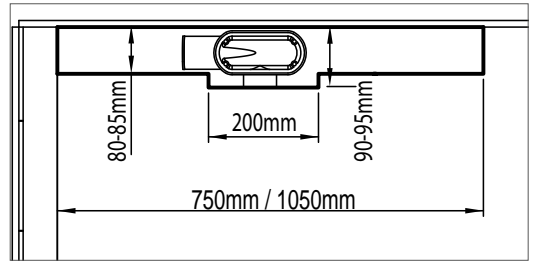
Where an infinity tray is to be laid in-line with joists, a 10mm notch must be made across each joist where the underside of the black plastic waste would otherwise contact the joist. Always take professional advice when notching joists.



Lay the plywood into position and pilot drill and countersink at approximately 150mm intervals, making sure to avoid any pipes and wires marked on the joists.



**ALWAYS ENSURE THERE IS NO MOVEMENT ANYWHERE IN THE 18MM PLY, ESPECIALLY AROUND THE HOLE CUT THROUGH THE 18MM PLY FOR THE WASTE.**



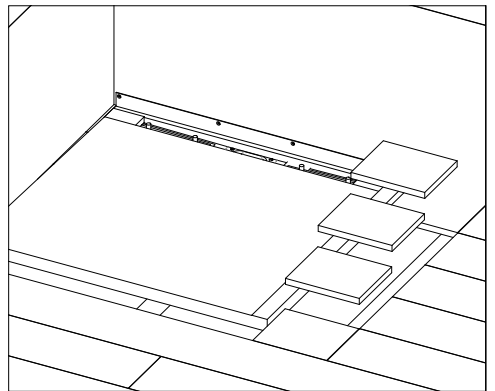
# 9

Lay the shower tray into the required position to check the fit of the shower drain base.

Ensure no part of the underside of the black drain is in contact with joists, battens or any other supports.

If you are left with a gap between the edge of the shower tray and the start of the original flooring, this should be filled with a piece of the flooring previously removed, and securely screwed down onto the new plywood.

Carefully remove the shower tray and store in a safe place.

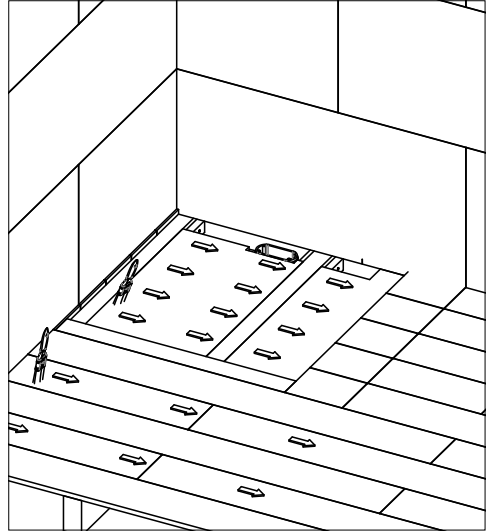


## 10

Paint the entire floor area including the new plywood with the acrylic wood floor primer.

Leave to dry for at least 2 hours.

## THINK SAFETY

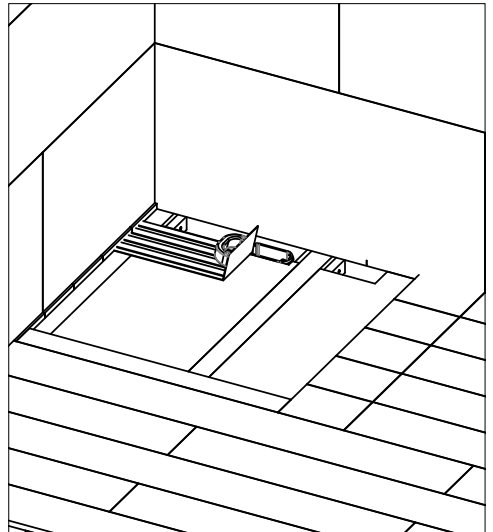


## 11

Mix a sufficient amount of Fix-KST adhesive according to the instructions on the bag (approx. 1lt to 5kg Fix-KST depending on conditions).

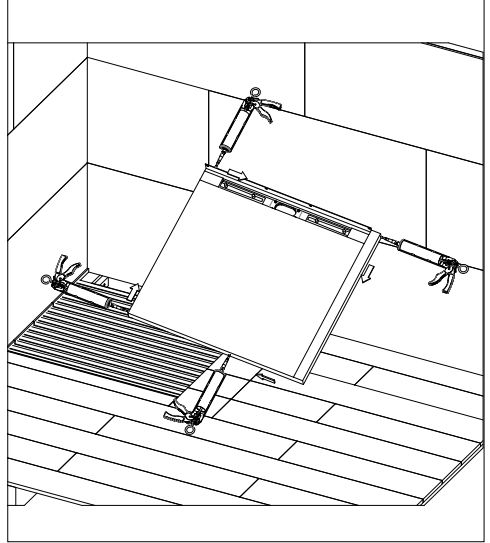
Where the shower tray sits apply a full bed of adhesive mix using a notched 4mm trowel.

## THINK SAFETY



# 12

Before putting the tray in place, squeeze a wavy line of FIX-MD adhesive along all four edges of the shower tray, including the upstand where it meets the wall, then place the shower tray into position and bed down onto the adhesive.

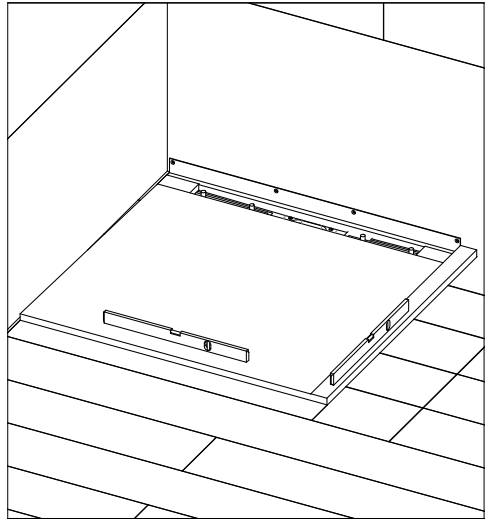


## THINK SAFETY



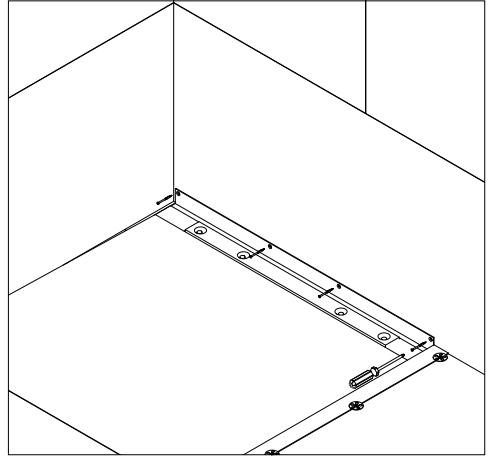
# 13

Bed the tray onto the adhesive and check it is level in both directions as indicated.



# 14

For stud walls secure the upstand to the wall with screws.



THINK SAFETY

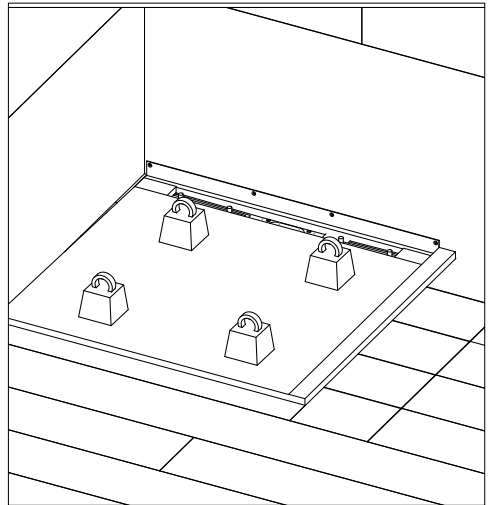


# 15

While the adhesive cures it is good practice to hold the tray down with weights. Bags of tile adhesive or similar can be used.

This will ensure that the shower base sticks evenly.

Set time for the Fix-KST is approximately 3 to 5 hours depending on conditions.



THINK SAFETY



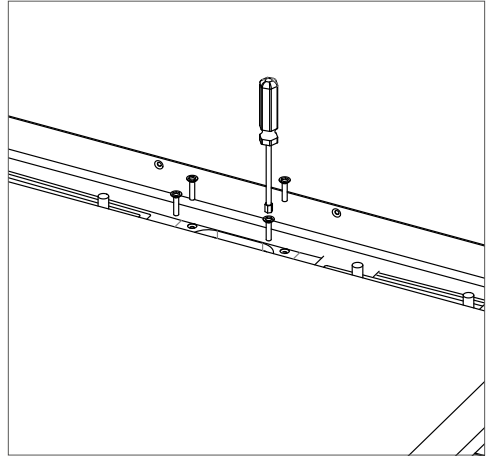
# 16

Line up the linear drain bowl with the drain top pre-fitted within the shower tray and connect the two together using the four bolts provided.

**- WARNING -**

**DO NOT OVER TIGHTEN**

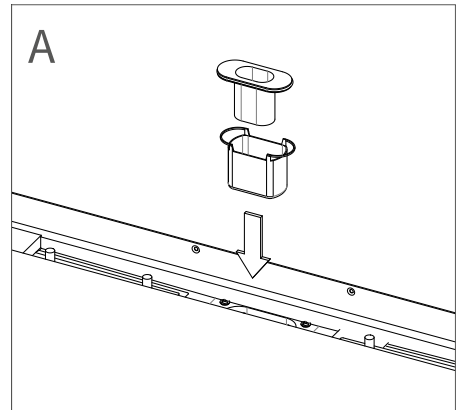
**RECOMMENDED TORQUE IS LESS THAN 1Nm**



# 17

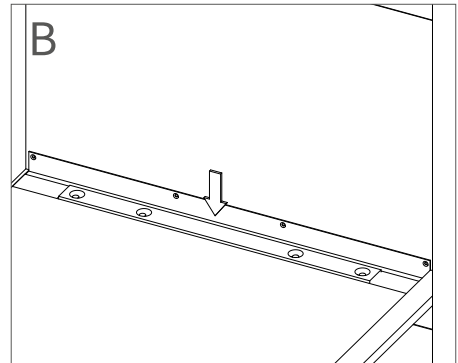
**A** -Ease the shower drain internal bowl into the shower drain base.

Ease the shower drain internal dome into the shower drain base.



**B** - Place the disposable tiling aid into the shower drain hole in the shower tray.

The tiling aid will protect the drain from debris.



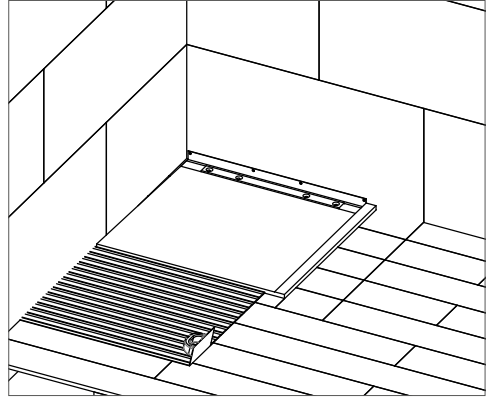


# 18

Mix further Fix-KST adhesive with water in a clean bucket at approximately 1lt to 5kgs.

Where the first board will sit, spread the adhesive onto the floor and drag the 4mm notched adhesive trowel across the surface to make a ribbed pattern which will leave just the right amount of adhesive on the floor.

Always leave the weights on the tray while the tray is curing to maintain the contact with the adhesive.



## THINK SAFETY

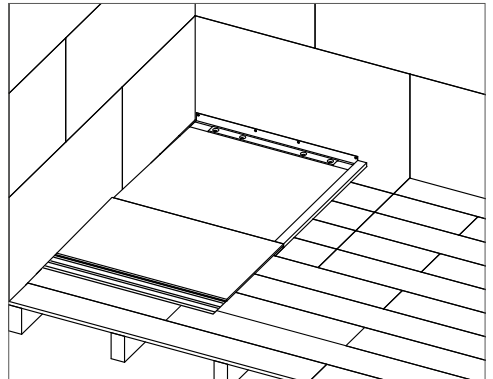


# 19

Before proceeding, check thoroughly for pipes and wires under the floor.

Place the first waterproof board into position and bed down onto the adhesive cement. Check that the waterproof board is level in both directions using a suitable level.

The floor is designed to be fitted flat and is fully waterproof however water will sit on a flat surface. If the floor immediately outside the showering area is likely to get wet it is advisable to angle the first board slightly so that water will run back towards the drain.



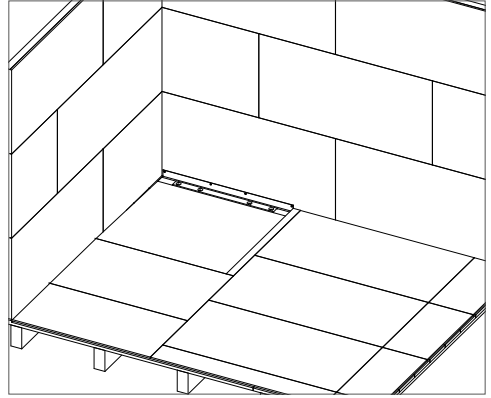
## THINK SAFETY



# 20

Repeat the steps 18 and 19 for the remaining waterproof boards, mixing further adhesive when required.

Leave to set for approximately 3 to 5 hours.



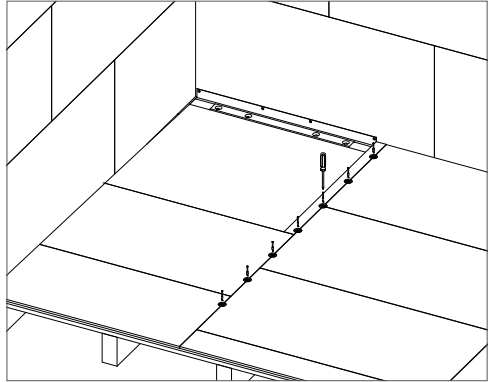
## THINK SAFETY



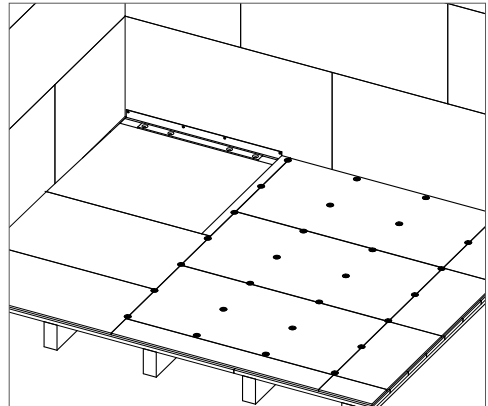
# 21

Along all joints fit the fixing plate washers at approximately 300mm to 400mm centres.

Place the centre hole of the fixing plate washers directly over the joint line and screw to the floor with the fixing plate screws.



Continue for all joints - board and edges.



## THINK SAFETY

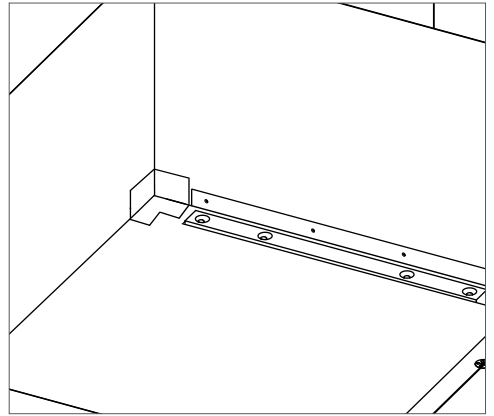


# 22

Please Note: The self-adhesive tape is very adhesive. Take care when applying.

Fit the supplied self-adhesive internal corner, pushing it firmly into the corner of the showering area with the supplied roller.

THINK SAFETY



# 23

Cut the supplied self-adhesive waterproofing tape to the correct lengths for around the shower tray and over the upstand, allowing a 20mm overlap on to other tape runs and corners.

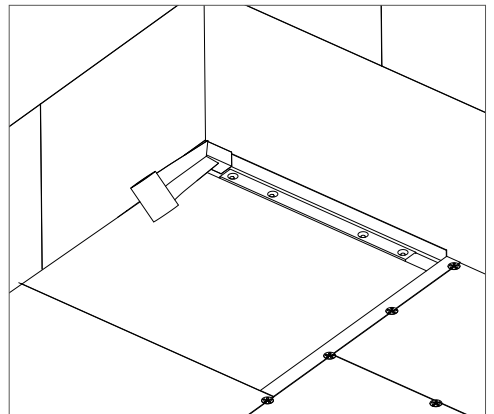
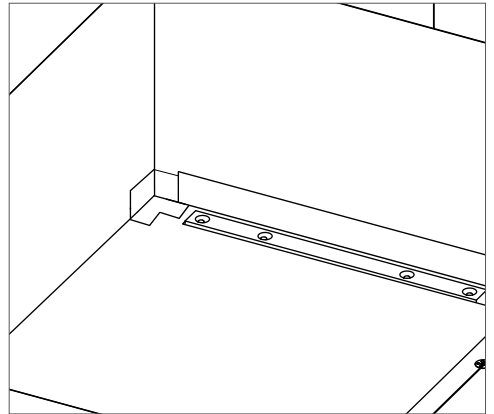
Please Note: The self-adhesive tape is very adhesive. Take care when running the tape around the edges of the room. It is a good idea to apply the tape by first peeling only one half of the tape and adhering that to the floor using the roller, then folding the other half up the wall, pushing firmly as you go with the roller.

Seal the tray upstand using the self-adhesive tape, making sure to overlap the internal corners by at least 20mm.

Fix firmly with the seam roller.

Continue to seal the remaining edges of the tray, overlapping the ends by at least 20mm.

THINK SAFETY



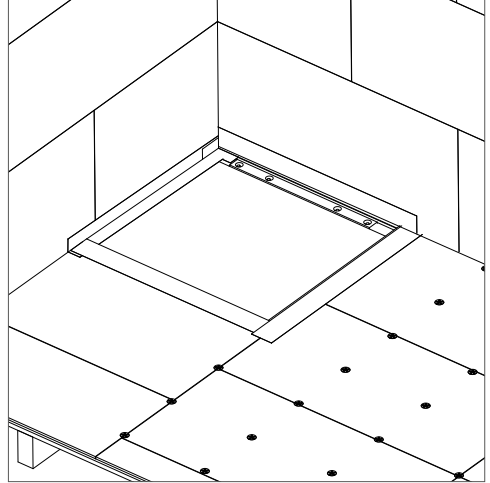
# 24

For waterproofing additional backerboard floor joints, cut the waterproofing tape (not self-adhesive) to the correct lengths to cover all additional joints and fixings, allowing a 20mm overlap on to other tape runs and corners.

Apply a thin layer of Pro-SEAL tape sealer approximately 120mm wide across all board joints and over all of the fixing washers.

Place the strips of waterproofing tape across all joints and fixing washers, pressing firmly into the Pro-SEAL tape sealer.

Leave to set for approximately 3 to 5 hours after which the floor is ready for tiling.



---

**The next steps are after the Important Tiling Advice.**

## IMPORTANT TILING ADVICE



**IT IS ESSENTIAL THAT YOU DO NOT USE A READY MIXED TILE ADHESIVE  
S1 FLEXIBLE CEMENT BASED POWDERED ADHESIVE MUST BE USED WITH TILEABLE  
SHOWER TRAYS**

-

**A FULL BED OF ADHESIVE MUST BE CREATED WHEN LAYING THE TILES BY  
FOLLOWING THE BRITISH STANDARDS' NOTCHED TROWEL AND BUTTERING  
METHOD**

-

**The Infinity Finishing Trim must be sealed to the tray and tiles using a MS\_Polymer  
adhesive such as Fix-MD supplied**

-

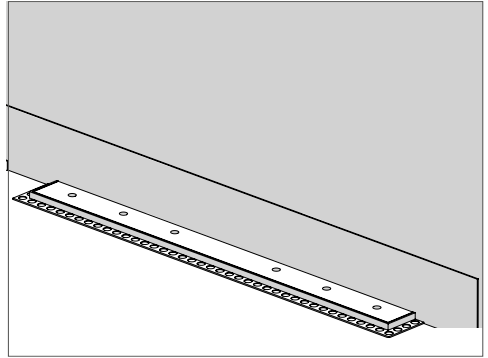
**The Infinity shower tray has a single slope towards the drain. It is best suited to  
large format tiles but any sized tiles (including mosaics) can be used**

# 25

Place the disposable tiling aid into the shower drain hole of the shower tray to protect the drain from debris.

Fit the Infinity Finishing Trim against the tiling aid to provide the edge to tile up to.

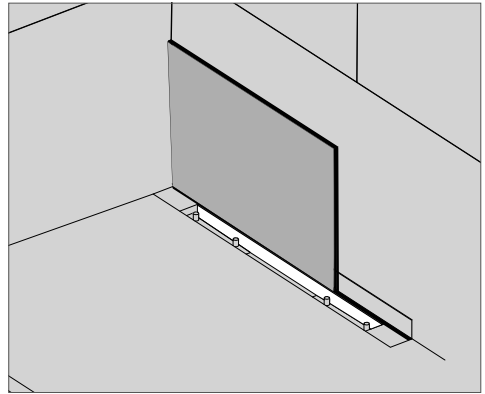
The trim must be sealed to the tray and tiles using a MS\_Polymer adhesive such as Fix-MD supplied



# 26

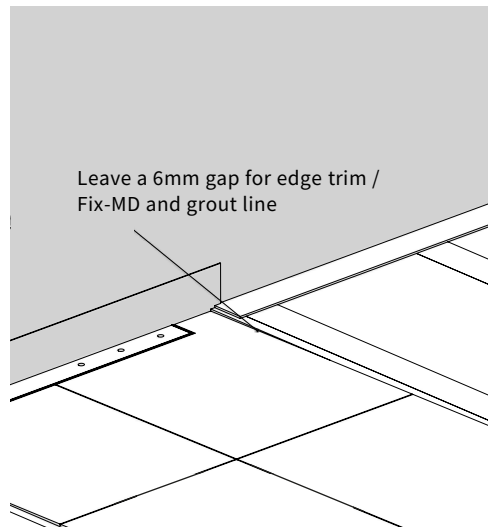
To ensure the Infinity waste is tiled in the best possible way, we recommend tiling the wall around the tray area first, bringing the tiles down to the level of the tray surface and out to the ridge on the waste, leaving no horizontal area between this ridge and the wall.

After tiling the wall then the tray and remaining floor area can be tiled.



# 27

Always leave a 6mm gap along the raised edge of the tray where it meets the flooring to allow for final positioning of the edge trim.



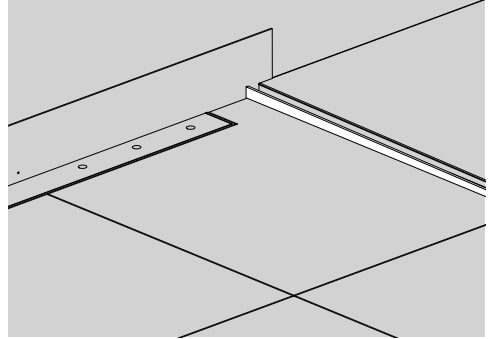
## 28

Secure the edge trim into the 6mm gap with Fix-MD.

Ensure the top of the trim is levelled with the finished floor level.

Once the edge trim is in place then any remaining gap can be filled.

The remaining floor area can now be tiled.

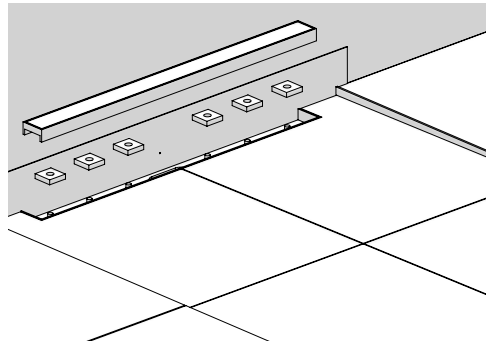


## 29

Cut a piece of tile and fix to the finishing grate.

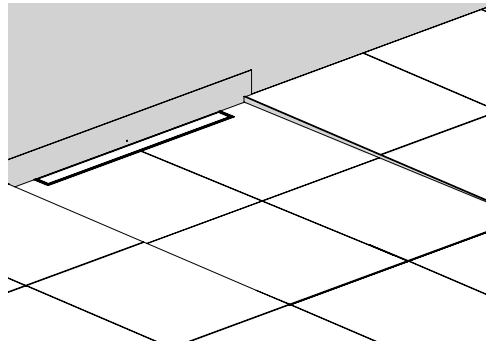
The infinity drain is supplied with square black plastic height adjustment nuts.

Screw these on to the protruding bolts pre-fitted within the drain.



## 30

All the black adjustment nuts can now be screwed up or down to ensure the waste cover plate is fitted flush with the finish tiles on the tray.





**SCAN TO WATCH**

Scan this QR code with your mobile's QR reader to watch our installation video.

