



# SWADLING

## BRASSWARE

### Engineer Wall Mount 3 Hole Basin Mixer (Manifold) Installation Instructions

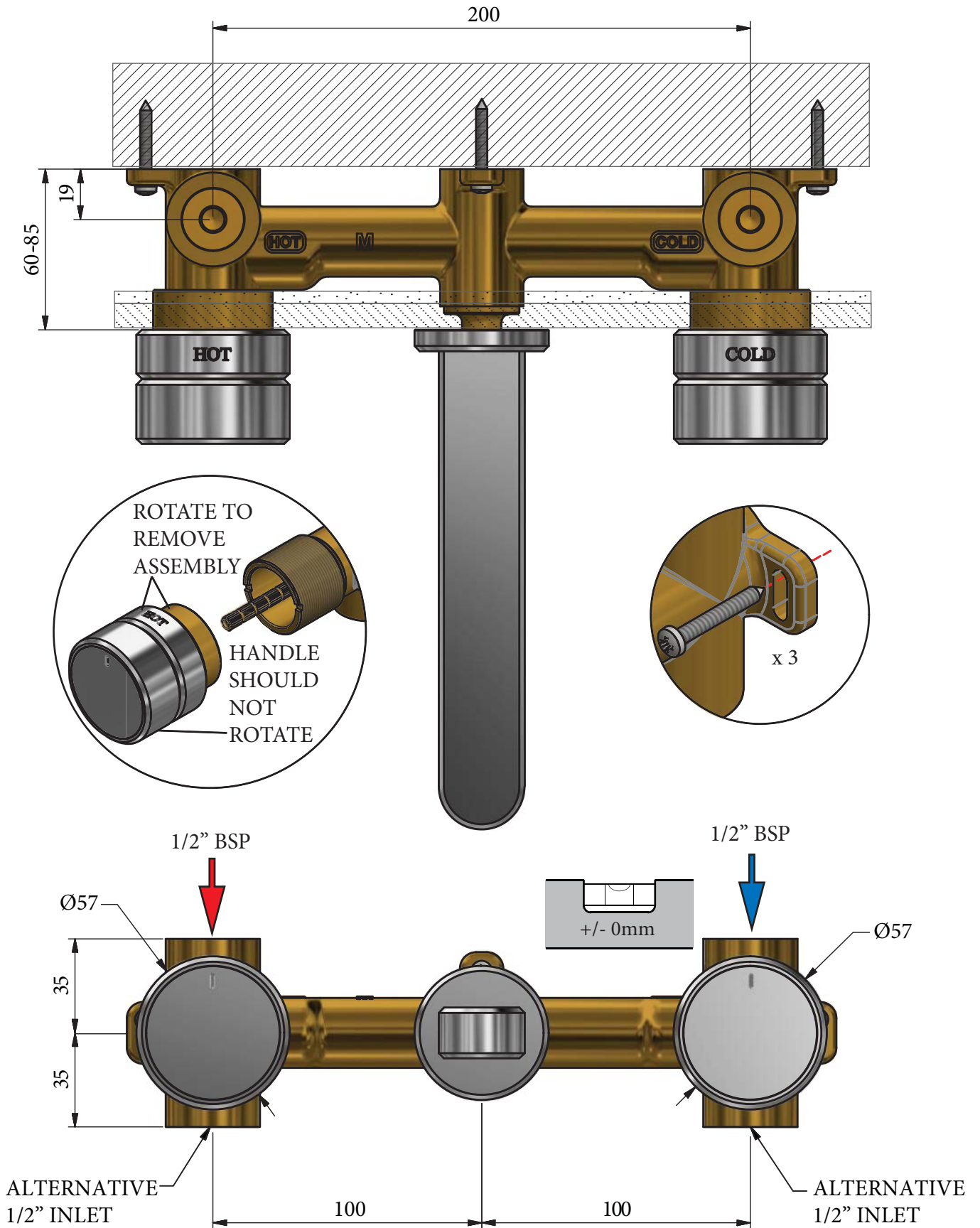


Standard Spout 8690  
Long Spout 8710

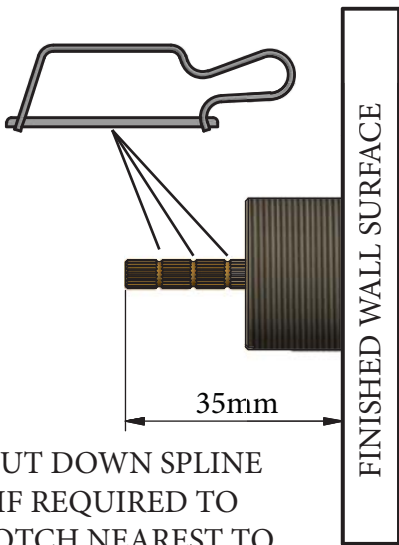
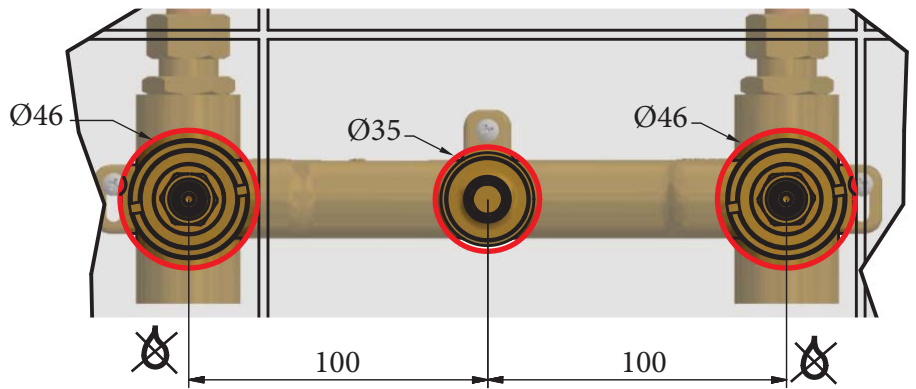
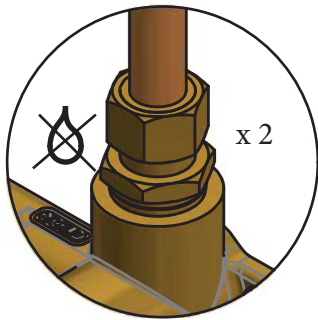
Before disposing of the carton and commencing installation, please check all parts against the parts list on back page. Please contact us immediately if any parts are missing or damaged.

Swadling Brassware, Churchward Road, Yate, Bristol, BS37 5PL  
Telephone: 02392 255536 Email: [tech@swadlingbrassware.co.uk](mailto:tech@swadlingbrassware.co.uk)

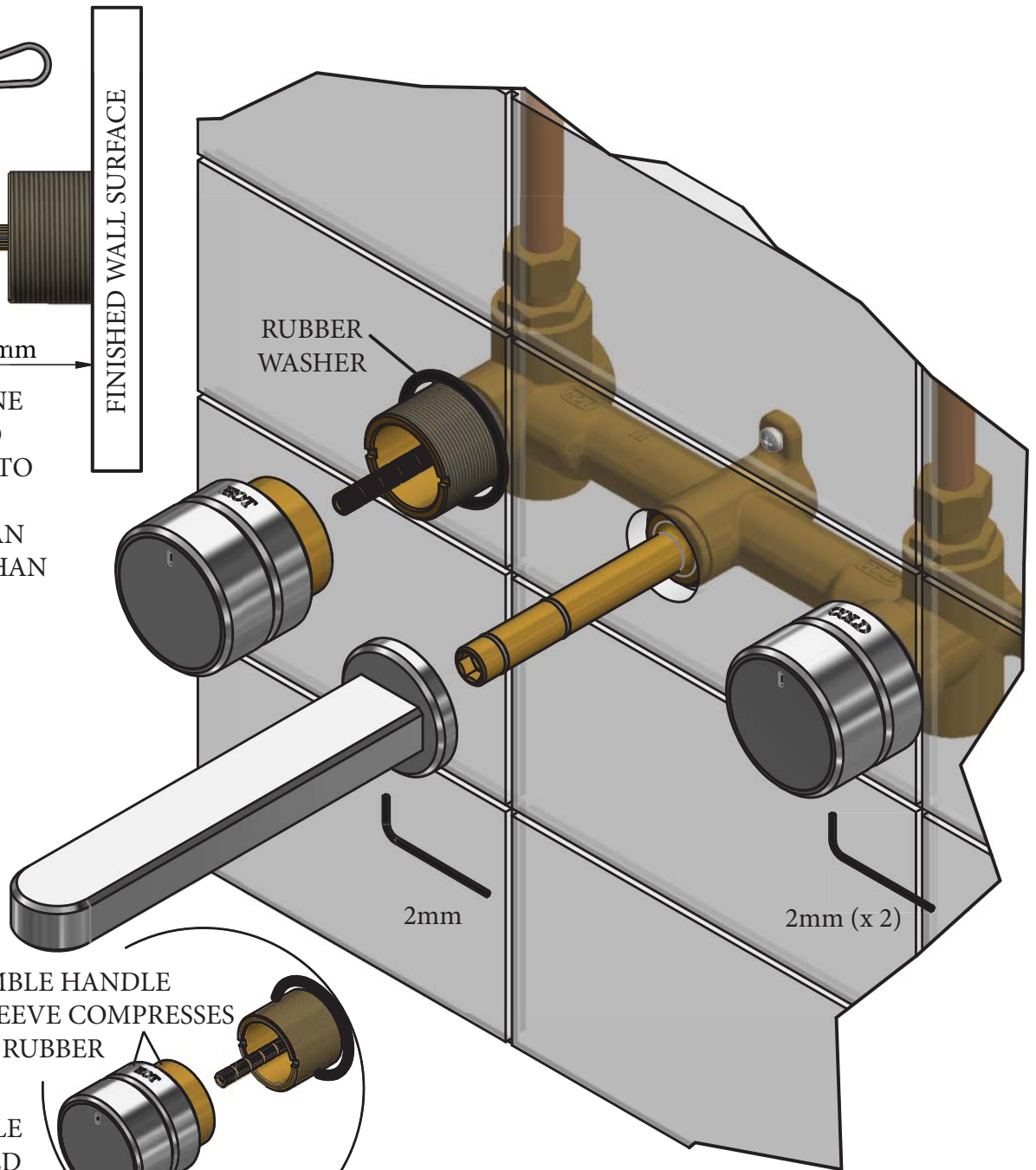
**DIMENSIONS**



# INSTALLATION



CUT DOWN SPLINE  
IF REQUIRED TO  
NOTCH NEAREST TO  
35mm  
(NOTE: SPLINE CAN  
NOT BE LONGER THAN  
35mm)

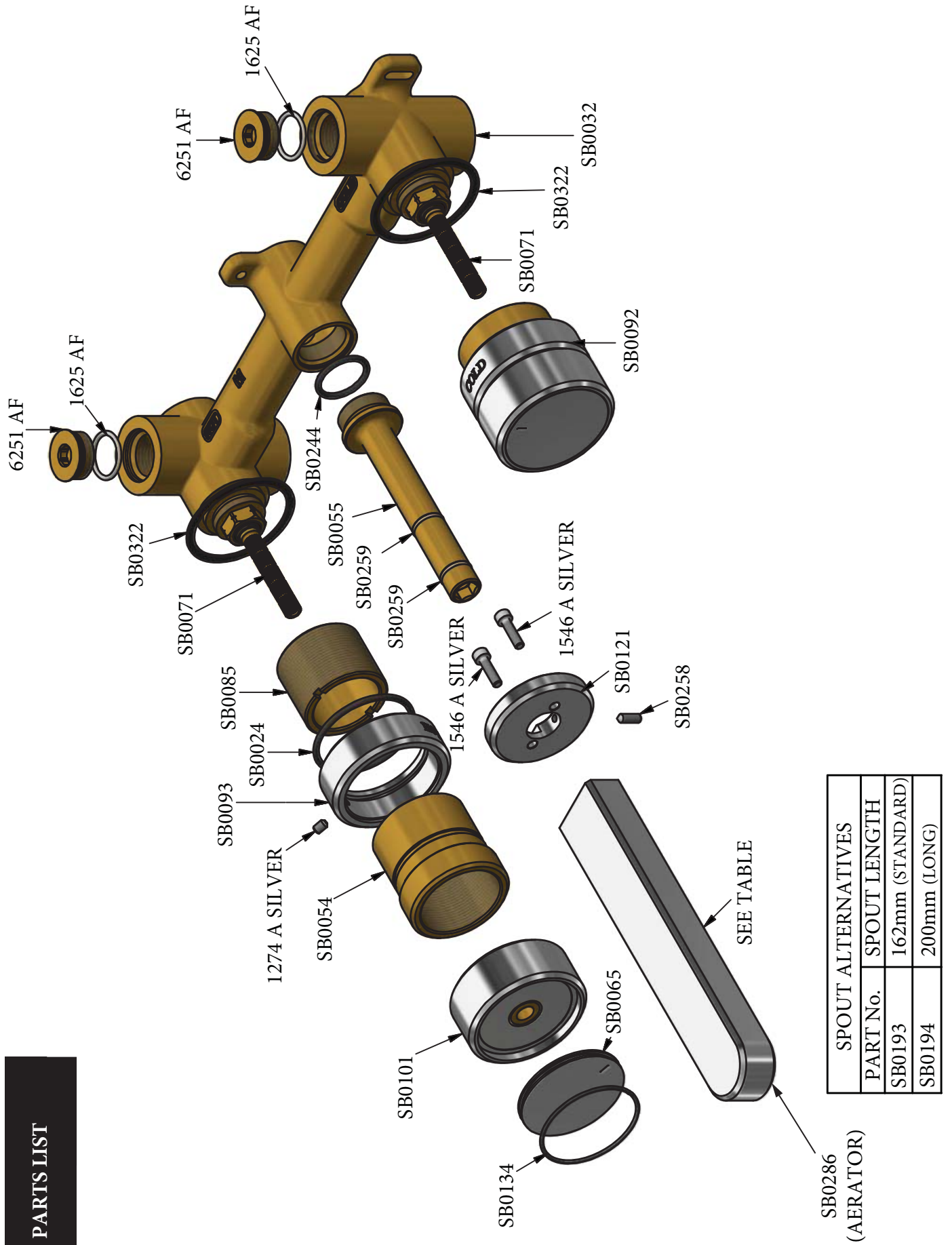


RE-ASSEMBLE HANDLE  
UNTIL SLEEVE COMPRESSES  
AGAINST RUBBER  
WASHER

HANDLE  
SHOULD  
NOT  
ROTATE

ROTATE SLEEVE SO THAT ENGRAVING IS  
AT THE TOP AND TIGHTEN GRUB SCREW

# PARTS LIST



SPOUT ALTERNATIVES	
PART No.	SPOUT LENGTH
SB0193	162mm (STANDARD)
SB0194	200mm (LONG)