



SWADLING

BRASSWARE

Enginner Deck Mount 3 Hole Basin Mixer Installation Instructions

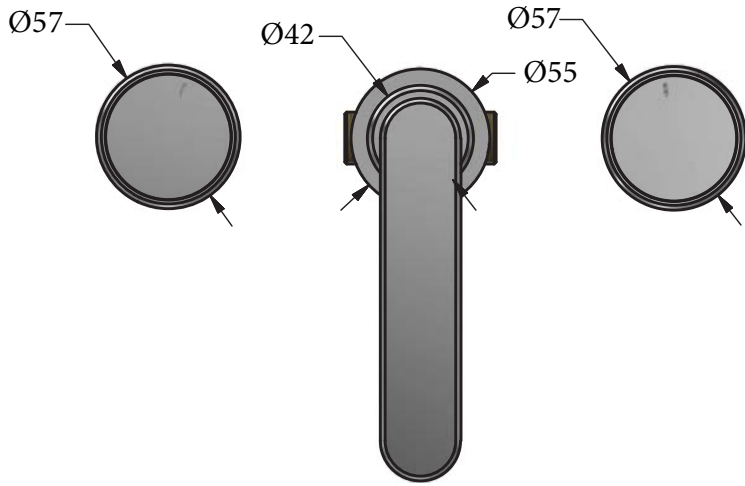
	STANDARD (SPOUT LENGTH)	LONG (SPOUT LENGTH)
STANDARD	8600	8620
TALL	8630	8650



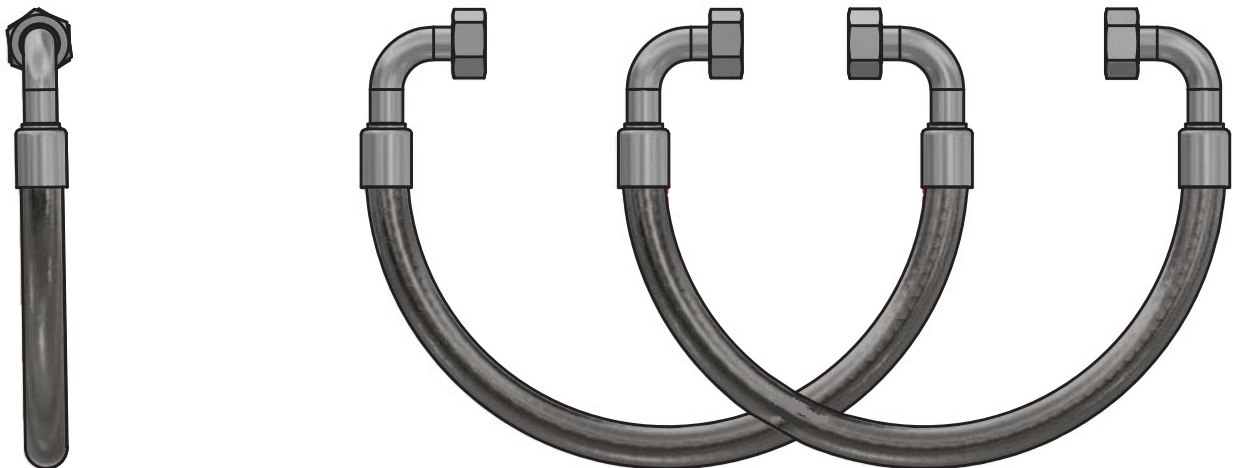
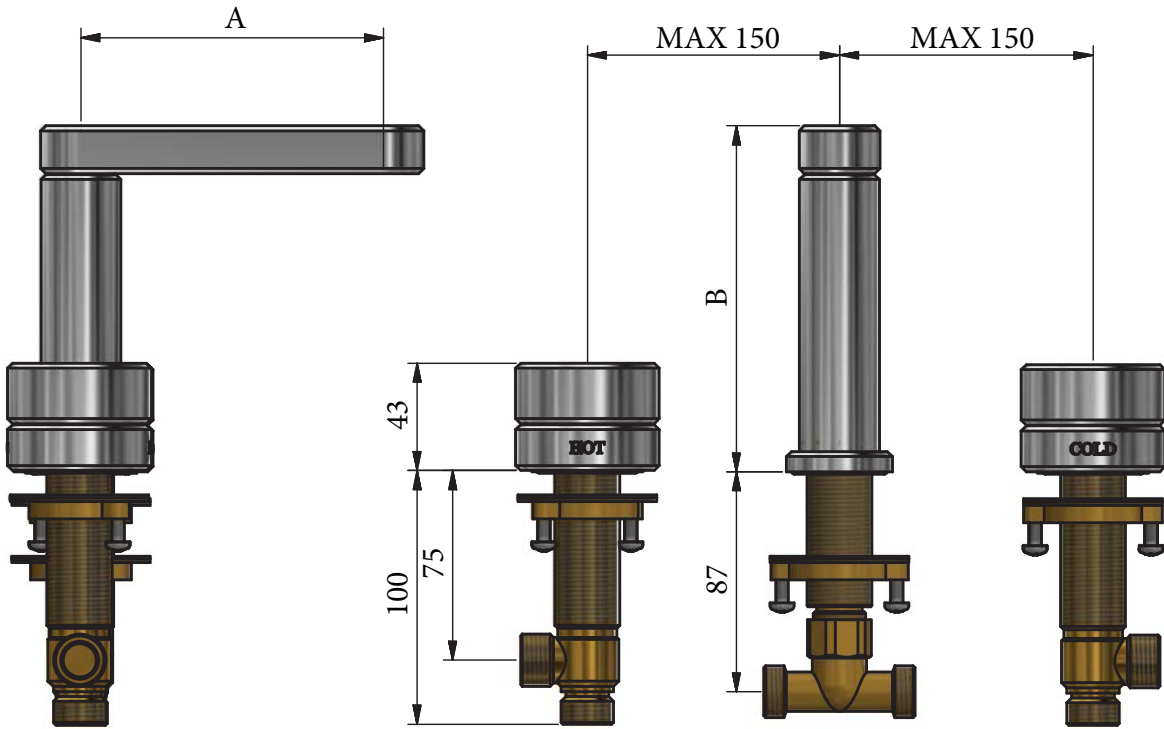
Before disposing of the carton and commencing installation, please check all parts against the parts list on back page. Please contact us immediately if any parts are missing or damaged.

Swadling Brassware, Churchward Road, Yate, Bristol, BS37 5PL
Telephone: 02392 255536 Email: tech@swadlingbrassware.co.uk

DIMENSIONS



SPOUT VARIANTS	
A	B
168mm (LONG)	237mm (TALL)
120mm (STANDARD)	137mm (STANDARD)



PARTS LIST

SEE SPOUT LENGTH TABLE

SPOUT LENGTH VARIANTS	
PART No.	LENGTH
SB0195	120mm (STANDARD)
SB0196	168mm (LONG)

SEE TUBE HEIGHT TABLE

TUBE HEIGHT VARIANTS	
PART No.	HEIGHT
SB0089	110mm (STANDARD)
SB0099	210mm (TALL)

